

Caponago (IT), Rohrdorf (D), 01.08.2019

Information about change of product responsibility

As of 1st August 2019, the products of SIRA, Via Senatore Simonetta,26 – 20867 Caponago (MB) - Italy, have been transferred to KATHREIN Broadcast GmbH. Kathrein Broadcast will continue to market this product line under the brand name SIRA.



From 1st August 2019, the responsible company for SIRA products is:

KATHREIN Broadcast GmbH
Ing.-Anton-Kathrein-Str. 1 - 7
83101 Rohrdorf, Germany

Tax Payer's ID No.: 156/117/31113
VAT Reg. No.: DE 323 189 785
Commercial Register Traunstein: HRB 27745

E-Mail: broadcast@kathrein.de
www.kathrein-bca.com

UTV-11/1

UHF SUPERTURNSTILE ANTENNA



FEATURES

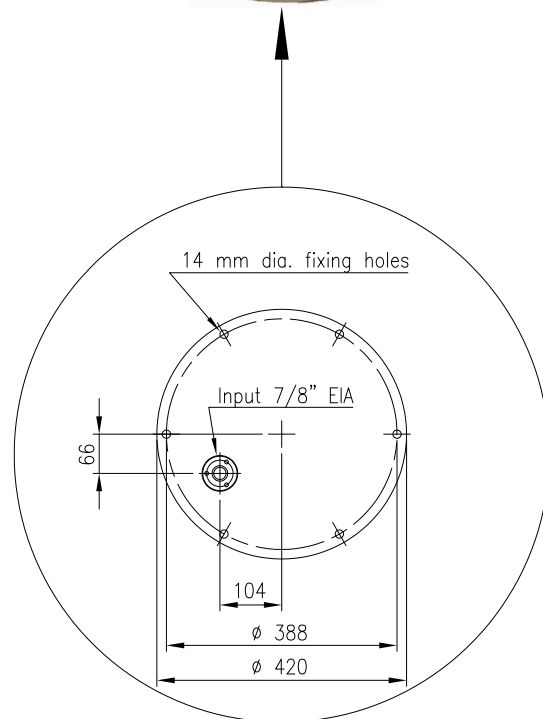
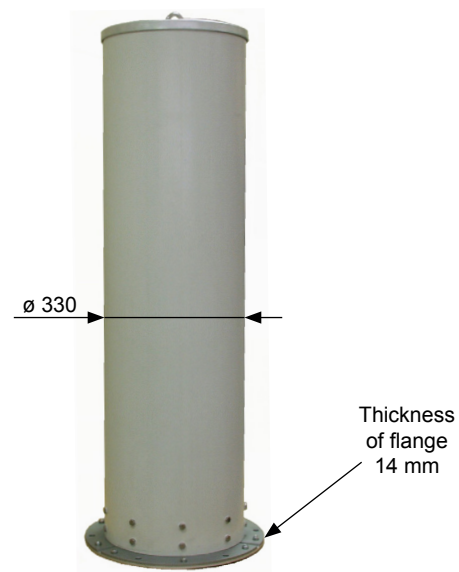
- horizontal polarization
- broadband 470 ÷ 860 MHz
- 5 dB gain
- omnidirectional pattern
- self supporting radome

ELECTRICAL DATA

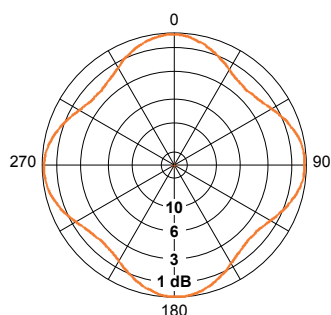
| | |
|-------------------------------------|-----------------------------|
| TYPE | UTV-11/1 |
| FREQUENCY RANGE | 470 ÷ 860 MHz |
| IMPEDANCE | 50 ohm |
| CONNECTOR | 7/8" EIA |
| MAX POWER | 2 kW |
| VSWR | ≤ 1.1 |
| POLARIZATION | Horizontal |
| GAIN (referred to half wave dipole) | 5 dB |
| LIGHTNING PROTECTION | All metal parts DC grounded |

MECHANICAL DATA

| | |
|-------------------|---|
| DIMENSIONS | 1186 x ø 420 mm |
| WEIGHT | 40 kg |
| WIND SURFACE | 0.39 m ² |
| WIND LOAD | 0.31 kN (wind speed 150 km/h) |
| MAX WIND VELOCITY | 220 km/h |
| MATERIALS | Brass, aluminium, stainless steel, galvanized steel, teflon, fiberglass |
| ICING PROTECTION | Full radome |
| RADOME COLOUR | Grey |
| MOUNTING | Directly on top of existing mast by means of a flange |
| PACKING | 1290 x 430 x 450 mm |



HORIZONTAL RADIATION PATTERNS (Mid Band)



VERTICAL RADIATION PATTERNS (Mid Band)

