

Caponago (IT), Rohrdorf (D), 01.08.2019

## Information about change of product responsibility

---

As of 1st August 2019, the products of SIRA, Via Senatore Simonetta,26 – 20867 Caponago (MB) - Italy, have been transferred to KATHREIN Broadcast GmbH. Kathrein Broadcast will continue to market this product line under the brand name SIRA.



From 1st August 2019, the responsible company for SIRA products is:

**KATHREIN Broadcast GmbH**  
**Ing.-Anton-Kathrein-Str. 1 - 7**  
**83101 Rohrdorf, Germany**

**Tax Payer's ID No.: 156/117/31113**  
**VAT Reg. No.: DE 323 189 785**  
**Commercial Register Traunstein: HRB 27745**

E-Mail: [broadcast@kathrein.de](mailto:broadcast@kathrein.de)  
[www.kathrein-bca.com](http://www.kathrein-bca.com)

# UTV-11/4

## UHF SUPERTURNSTILE ANTENNA



### FEATURES

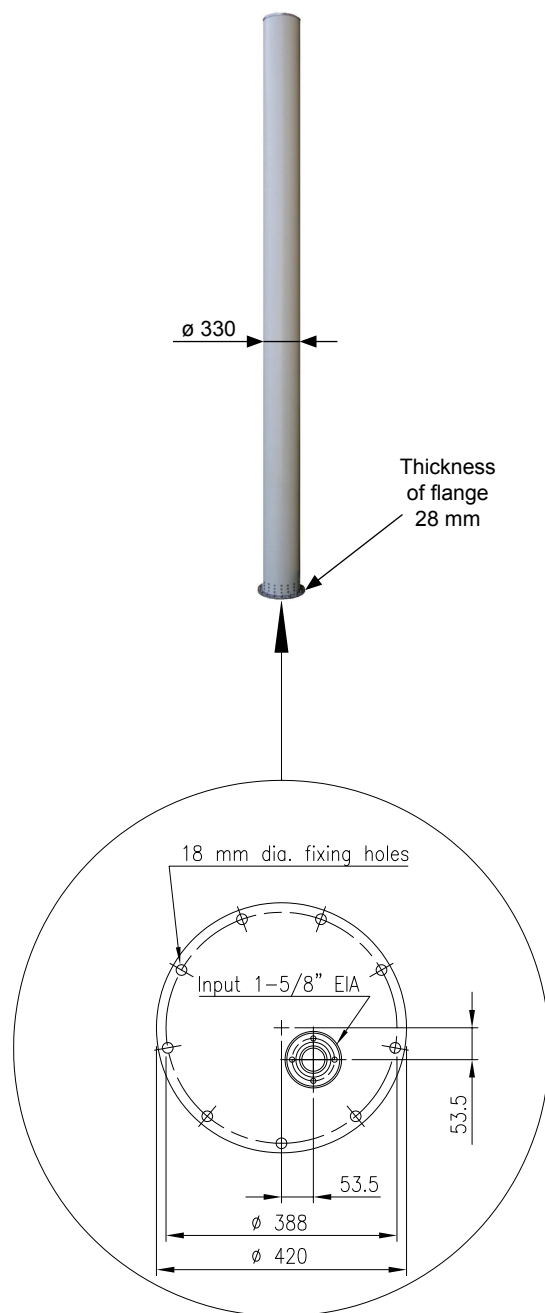
- horizontal polarization
- broadband 470 ÷ 860 MHz
- 11 dB gain
- omnidirectional pattern
- self supporting radome

#### ELECTRICAL DATA

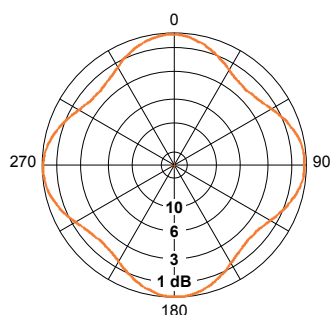
TYPE	UTV-11/4
FREQUENCY RANGE	470 ÷ 860 MHz
IMPEDANCE	50 ohm
CONNECTOR	1-5/8" EIA
MAX POWER	5 kW
VSWR	≤ 1.1
POLARIZATION	Horizontal
GAIN (referred to half wave dipole)	11 dB
LIGHTNING PROTECTION	All metal parts DC grounded

#### MECHANICAL DATA

DIMENSIONS	5110 x ø 420 mm
WEIGHT	135 kg
WIND SURFACE	1.69 m <sup>2</sup>
WIND LOAD	1.36 kN (wind speed 150 km/h)
MAX WIND VELOCITY	220 km/h
MATERIALS	Brass, aluminium, stainless steel, galvanized steel, teflon, fiberglass
ICING PROTECTION	Full radome
RADOME COLOUR	Grey
MOUNTING	Directly on top of existing mast by means of a flange
PACKING	5280 x 500 x 540 mm



HORIZONTAL RADIATION PATTERNS (Mid Band)



VERTICAL RADIATION PATTERNS (Mid Band)

