

Panel Antenna

470-862 MHz

V

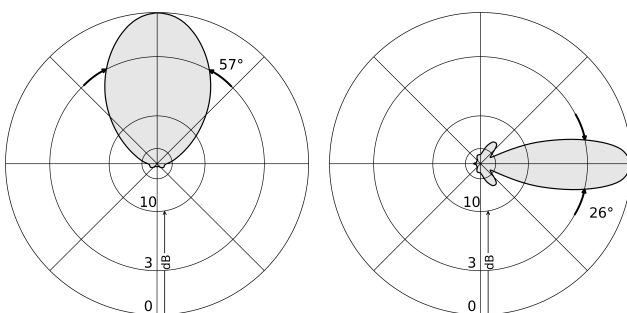
- All-purpose panel for mounting by fixations or to square steel spines.

Part Number	776167
Input	13-30 female elbow
Max. power	2 kW
Frequency range	470-862 MHz
VSWR	< 1.12
Gain (at mid-band)	11 dBd
Impedance	50 Ohm
Polarization	vertical
Dimensions	W: 494 mm x H: 994 mm x D: 193 mm
Weight	12 kg
Wind load (at 160 km/h)	Frontal: 565 N
	Rearside: 815 N
	Lateral: 250 N
Max. wind velocity	240 km/h



- Material** Reflector screen and dipoles: Weather-resistant aluminum.
 Protective cover: Fiberglass.
 Attachment bracket: Hot-dipped galvanized steel.
 Attachment plate: Weather-resistant aluminum.
- Radome color** RAL 9016 (traffic white), other radome colors on request.
- Mounting** Attachment bracket: E.g. by using clamps 75310411-75310415 to tubular masts of 40-521 mm diameter.
 Attachment plate: Using M 8 x 35 mm screws (supplied) to suitable attachment construction.
- Grounding** Via mounting parts.
- Ice protection** The dipoles remain fully functional even in icy conditions as the fiberglass cover protects the whole antenna.
- Note** Nominal Dimensions: For detailed information, please refer to the technical drawing.

Mid-band Radiation Patterns



Horizontal Radiation Pattern

Vertical Radiation Pattern

Please note

As a result of more stringent legal regulations and judgements regarding product liability, we are obliged to point out certain risks that may arise when products are used under extraordinary operating conditions.

The mechanical design is based on the environmental conditions as stipulated in ETS 300 019-1-4 and thereby respects the static mechanical load imposed on an antenna by wind at maximum velocity.

Extraordinary operating conditions, such as heavy icing or exceptional dynamic stress (e.g. strain caused by oscillating support structures), may result in the breakage of an antenna or even cause it to fall to the ground.

Cylindrical bodies can show crosswind response, which can cause the supporting structure to oscillate and to be damaged. Prismatic bodies, even with non-circular cross-section can show crosswind response, which can cause the supporting structure to oscillate (see EN 1991-1-4 or EN 1993-3-1).

These facts must be considered during the site planning process.

The maximum wind velocities listed should be understood in the sense of working values according to DIN and EN standards. These values include a safety factor (1.5) below the ultimate limit state (elastic limit or permanent deformation). For these wind velocities we guarantee the mechanical safety and the electrical integrity of our antennas.

The installation team must be properly qualified and also be familiar with the relevant national safety regulations.

The details given in our data sheets have to be followed carefully when installing the antennas and accessories.

The limits for the coupling torque of RF-connectors, recommended by the connector manufacturers must be obeyed.

Any previous data sheet issues have now become invalid.

Our quality assurance system applies to the entire company and is certified to EN ISO 9001.